

050-7100
10mm Single Rotor Latch



The compact 050-7100 10mm Single Rotor Latch is designed for operator door applications for off-highway vehicles.

DESIGNED FOR:

- Light to medium duty doors up to 45Kg (100 lbs.) with door seal pressures no greater than 11 Kg (25 lbs.)

FEATURES/BENEFITS:

- Compact size and shape; requires minimum use of door space
- Two position rotary function suitable for personnel doors for FMVSS 206 (ECE R11) applications
- Inside release options
- Standard black finish reduces the need for secondary painting
- One variant supplied with latch plastic cover

Global Locations:

TriMark Corporation
500 Bailey Avenue
P.O. Box 350
New Hampton, Iowa 50659
United States
Tel: 641-394-3188
Fax: 641-394-2392
1-800-447-0343
www.trimarkcorp.com

TriMark Europe
Unit 3 Sence Court
Bardon Hill
Coalville
Leicestershire LE67 1GZ
United Kingdom
Tel: +44(0)1530 512460
Fax: +44(0)1530 512461
www.trimarkeu.com

TriMark (Xuzhou)
Building A5 Jingwu Road
Xuzhou Economic
Development Zone
Xuzhou, Jiangsu
221004 PR China
Tel: +86 516 8773 0018
Fax: +86 516 8773 0058
www.trimarkcn.com



TriMark. Interactive. Product. Selector



TriMark



TriMark Corporation



TriMark Corporation

AVAILABLE:

- Versions are available to allow direct or remote actuation from exterior push button or paddle handles
- With and without on latch direct release inside levers
- With left and right variants; provides application flexibility (right hand shown)

MATERIAL/FINISH:

- Inside release components: Nylon or steel with nylon knob
- Black plated steel case halves
- Cam and catch: Heat treated steel

INSTALLATION:

- Easy to install -- recommended mounting fastener (2) M6 x 1.0 flat or oval head class 8.8 or better fasteners are required for FMVSS 206 (ECE R11) (not included)
- Tighten to the fasteners recommended torque value, however, do not exceed 6 to 8 N-m (53 to 70 in-lbs.)
- Latch mounting plate supplied, is required to meet FMVSS 206 (ECE R11) loads

For more information visit
www.trimarkcorp.com

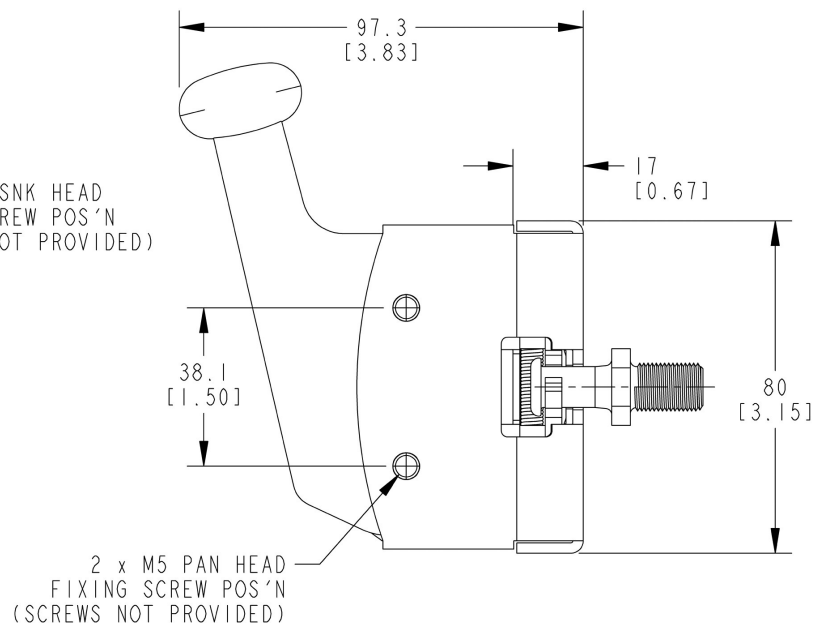
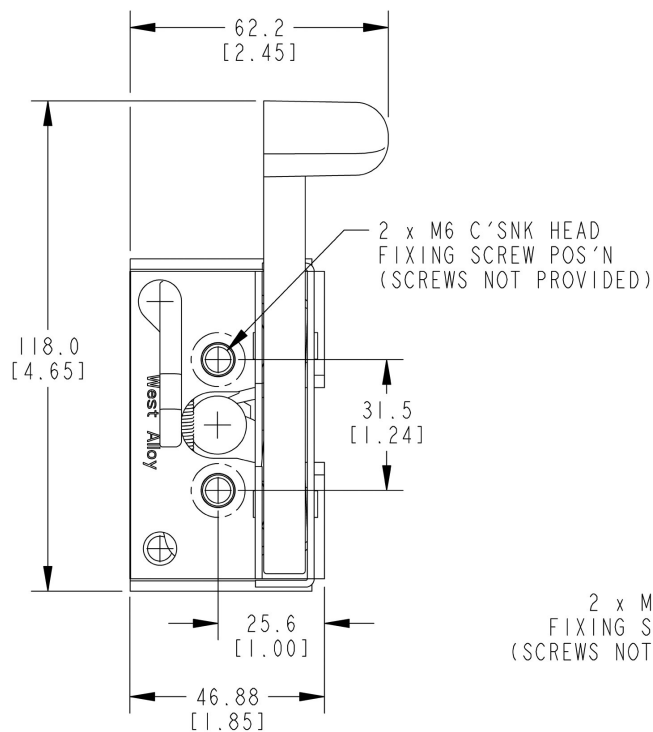
USE WITH:

- Latch Mounting Plate (included)
- 070-7100 10mm Striker Pin

Individual part dimensions are for reference only. Refer to individual part drawings for complete dimensions, specifications, and installation procedures. Engineering assistance and application drawings are available.

Applications of this latch may fall within the requirements of FMVSS 206 (ECE R11) and SAE J839 safety standards. These safety related requirements are dependent on door application, e.g. front and rear hinged doors, sliding doors, or hinged upward swinging doors. The entire door hardware system must be included in the design/analysis process: latch, handle, lock mechanism, cables/rods/linkages, fasteners, hinges, etc. This ensures compatibility of all components within the hardware system. If FMVSS 206 (ECE R11) is a requirement, then all of the components within the door system must comply with strength, inertia and locking requirements as specified within the Standard. Note that this product complies with FMVSS 206 (ECE R11) when tested with approved TriMark Striker Pin and Latch Mounting Plate in accordance with SAE J839 and that this product meets FMVSS 206 (ECE R11) load requirements and may be used in FMVSS 206 (ECE R11) applications pending TriMark application approval.

Caution: Product does not meet the locking requirements for FMVSS 206 (ECE R11).



ALL DIMENSIONS ARE FOR
REFERENCE ONLY